

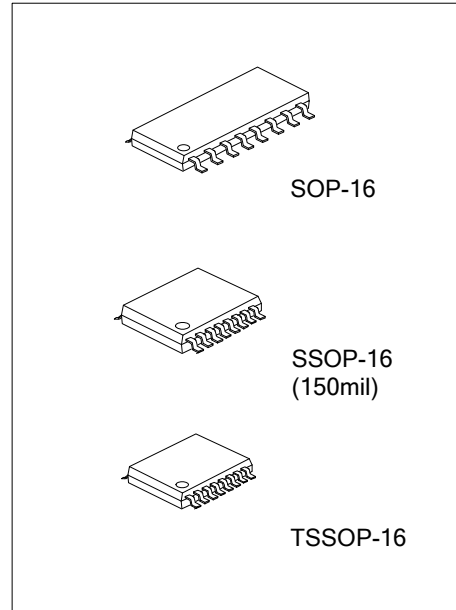


U74CBTLV3253

Preliminary

CMOS IC

LOW-VOLTAGE DUAL 1-OF-4 FET MULTIPLEXER/DEMULTIPLEXER



DESCRIPTION

The **U74CBTLV3253** device is a dual 1-of-4 high-speed FET multiplexer and demultiplexer. The low ON-state resistance of the switch allows connections to be made with minimal propagation delay.

The select (S0, S1) inputs control the data flow. The FET multiplexers/demultiplexers are disabled when the associated output-enable (\overline{OE}) input is high.

The **U74CBTLV3253** device is fully specified for partial-power-down applications using Ioff. The Ioff feature ensures that damaging current will not backflow through the device when it is powered down. The device has isolation during power off.

FEATURES

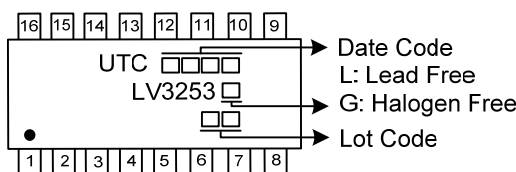
- * 5Ω Switch Connection Between Two Ports
- * Rail-to-Rail Switching on Data I/O Ports
- * Ioff Supports Partial-Power-Down Mode Operation

ORDERING INFORMATION

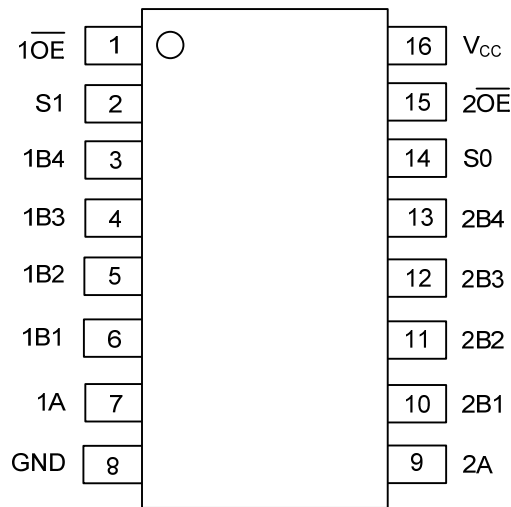
Ordering Number		Package	Packing
Lead Free	Halogen Free		
U74CBTLV3253L-S16-R	U74CBTLV3253G-S16-R	SOP-16	Tape Reel
U74CBTLV3253L-R16-R	U74CBTLV3253G-R16-R	SSOP-16	Tape Reel
U74CBTLV3253L-P16-R	U74CBTLV3253G-P16-R	TSSOP-16	Tape Reel

<p>U74CBTLV3253G-S16-R</p> <p>(1) Packing Type</p> <p>(2) Package Type</p> <p>(3) Green Package</p>	<p>(1) R: Tape Reel</p> <p>(2) S16: SOP-16, R16: SSOP-16, P16: TSSOP-16</p> <p>(3) G: Halogen Free and Lead Free, L: Lead Free</p>
---	--

MARKING



■ PIN CONFIGURATION



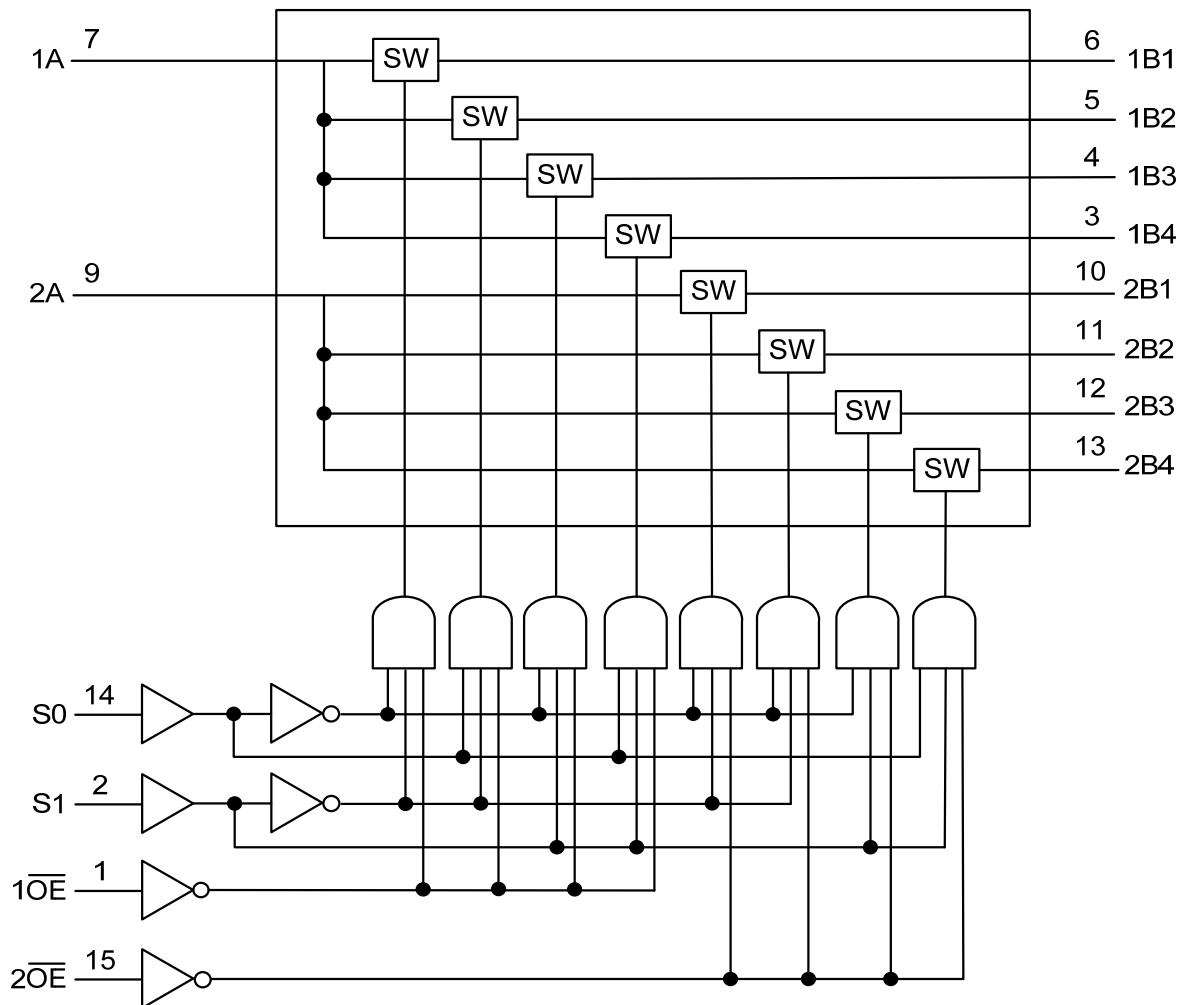
■ PIN DESCRIPTION

PIN NO.	PIN NAME	I/O	DESCRIPTION
1	1OE	I	Output Enable 1 Active-Low
2	S1	I	Select Pin 1
3	1B4	I/O	I/O Channel 1 I/O 4
4	1B3	I/O	I/O Channel 1 I/O 3
5	1B2	I/O	I/O Channel 1 I/O 2
6	1B1	I/O	I/O Channel 1 I/O 1
7	1A	I/O	Channel 1 common
8	GND		Ground
9	2A	I/O	Channel 2 common
10	2B1	I/O	Channel 2 I/O 1
11	2B2	I/O	Channel 2 I/O 2
12	2B3	I/O	Channel 2 I/O 3
13	2B4	I/O	Channel 2 I/O 4
14	S0	I	Select Pin 0
15	2OE	I	Output Enable 2 Active-Low
16	Vcc		Power

■ FUNCTION TABLE (Each Multiplexer / Demultiplexer)

INPUTS			FUNCTION
OE	S1	S0	
L	L	L	A port = B1 port
L	L	H	A port = B2 port
L	H	L	A port = B3 port
L	H	H	A port = B4 port
H	X	X	Disconnect

■ LOGIC DIAGRAM (positive logic)



■ ABSOLUTE MAXIMUM RATING

PARAMETER	SYMBOL	CONDITIONS	RATINGS	UNIT
Supply Voltage	V_{CC}		-0.5 ~ 4.6	V
Input Voltage (Note 2)	V_{IN}		-0.5 ~ 4.6	V
Switch I/O Voltage (Note 2)	$V_{I/O}$		-0.5 ~ 4.6	V
Continuous Channel Through V_{CC} or GND			±128	mA
Input Clamp Current	I_{IK}	$V_{IN} < 0$	-50	mA
I/O Port Clamp Current	$I_{I/OOK}$	$V_{I/O} < 0$	-50	mA
Junction Temperature	T_J		+150	°C
Storage Temperature Range	T_{STG}		-65 ~ +150	°C

Notes: 1. Absolute maximum ratings are those values beyond which the device could be permanently damaged. Absolute maximum ratings are stress ratings only and functional device operation is not implied.
 2. The input and output voltage ratings may be exceeded if the input and output current ratings are observed.

■ THERMAL DATA

PARAMETER	SYMBOL	RATINGS	UNIT
Junction to Ambient	SOP-16	90	°C/W
	SSOP-16	120	°C/W
	TSSOP-16	115	°C/W

■ RECOMMENDED OPERATING COMDITIONS

(Over operating free-air temperature range, unless otherwise specified)

PARAMETER	SYMBOL	TEST CONDITIONS	MIN	TYP	MAX	UNIT
Supply Voltage	V_{CC}		2.3		3.6	V
High-control input voltage	V_{IH}	$V_{CC}=2.3V\sim 2.7V$	1.7			V
		$V_{CC}=2.7V\sim 3.6V$	2			
Low-control input voltage	V_{IL}	$V_{CC}=2.3V\sim 2.7V$			0.7	V
		$V_{CC}=2.7V\sim 3.6V$			0.8	
Operating Temperature	T_A		-40		+125	°C

Note: All unused control inputs of the device must be held at V_{CC} or GND to ensure proper device operation.

■ ELECTRICAL CHARACTERISTICS (Unless otherwise specified)

PARAMETER	SYMBOL	TEST CONDITIONS	$T_A=25^\circ\text{C}$			$T_A=-40^\circ\text{C}\sim +125^\circ\text{C}$			UNIT
			MIN	TYP	MAX	MIN	TYP	MAX	
Digital Input Diode Voltage	V_{IK}	$V_{CC}=3V, I_I=-18\text{mA}$			-1.2			-1.2	V
Input Leakage Current	I_I	$V_{CC}=3.6V, V_I=V_{CC}$ or GND			±1			±20	µA
Power off Leakage Current	I_{OFF}	$V_{CC}=0, V_I$ or $V_O=0$ to 3.6V			±15			±50	µA
Quiescent Supply Current	I_{CC}	$V_{CC}=3.6V, V_I=V_{CC}$ or GND, $I_O=0$			10			50	µA
Additional Quiescent Supply Current (Note 1)	Control Inputs ΔI_{CC}	$V_{CC}=3.6V$, One input at 3V, Other inputs at V_{CC} or GND			300			2000	µA
Resistor between two ports (Note 2)	R_{ON}	$V_{CC}=2.3V$ TYP at	$V_I=0, I_I=64\text{mA}$	5	8			15	Ω
			$I_I=24\text{mA}$	5	8			15	Ω
		$V_{CC}=2.5V$	$V_I=1.7V, I_I=15\text{mA}$	27	40			60	Ω
			$V_I=0V, I_I=64\text{mA}$	5	7			11	Ω
		$V_{CC}=3V$	$I_I=24\text{mA}$	5	7			11	Ω
			$V_I=2.4V, I_I=15\text{mA}$	10	15			26	Ω

Notes: 1. This is the increase in supply current for each input that is at the specified voltage level, rather than V_{CC} or GND.

2. Measured by the voltage drop between the A and the B terminals at the indicated current through the switch. On-state resistance is determined by the lower of the voltages of the two (A or B) terminals.

SWITCHING CHARACTERISTICS

See Fig. 1 and Fig. 2 for test circuit and waveforms.

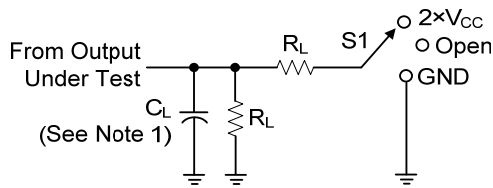
PARAMETER	SYMBOL	TEST CONDITIONS	T _A =25°C			T _A =-40°C~+125°C			UNIT
			MIN	TYP	MAX	MIN	TYP	MAX	
Propagation Delay From Input (A or B) (Note) to Output (B or A)	t _{pd} (t _{PLH} /t _{PHL})	V _{CC} =2.5V±0.2V			0.15			0.3	ns
		V _{CC} =3.3V±0.3V			0.25			0.5	ns
Propagation Delay From Input (S) to Output (A or B)		V _{CC} =2.5V±0.2V	1		7.3			8.8	ns
		V _{CC} =3.3V±0.3V	1		6.8			8.3	ns
Propagation Delay From Input (S) to Output (A or B)	t _{en} (t _{PZL} /t _{PZH})	V _{CC} =2.5V±0.2V	1		6.5			8.5	ns
		V _{CC} =3.3V±0.3V	1		6.3			8.3	ns
Propagation Delay From Input (\overline{OE}) to Output (A or B)		V _{CC} =2.5V±0.2V	1		6.5			8.5	ns
		V _{CC} =3.3V±0.3V	1		6.2			8.2	ns
Propagation Delay From Input (S) to Output (A or B)	t _{dis} (t _{PLZ} /t _{PHZ})	V _{CC} =2.5V±0.2V	1		5.1			7.1	ns
		V _{CC} =3.3V±0.3V	1		5.5			7.5	ns
Propagation Delay From Input (\overline{OE}) to Output (A or B)		V _{CC} =2.5V±0.2V	1		5.5			7	ns
		V _{CC} =3.3V±0.3V	1		5.4			6.9	ns

Note: The propagation delay is the calculated RC time constant of the typical on-state resistance of the switch and the specified load capacitance, when driven by an ideal voltage source (zero output impedance).

OPERATING CHARACTERISTICS (T_A=25°C, unless otherwise specified)

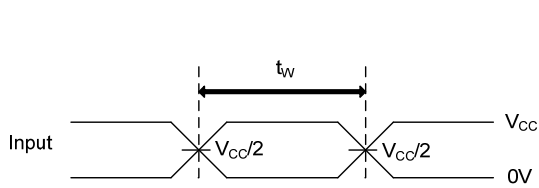
PARAMETER		SYMBOL	TEST CONDITIONS	MIN	TYP	MAX	UNIT
Control input Capacitance	Control Inputs	C _i	V _O =3V or 0		3		pF
I/O Capacitance (OFF)	A Port	C _{IO(OFF)}	V _O =3V or 0, \overline{OE} =V _{CC}		20.5		pF
	B Port				5.5		pF

TEST CIRCUIT AND WAVEFORMS

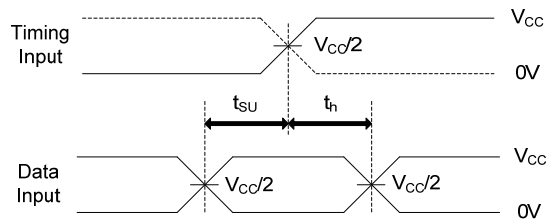


V_{CC}	C_L	R_L	V_{Δ}
$2.5V \pm 0.2V$	30pF	500 Ω	0.15V
$3.3V \pm 0.3V$	50pF	500 Ω	0.3V

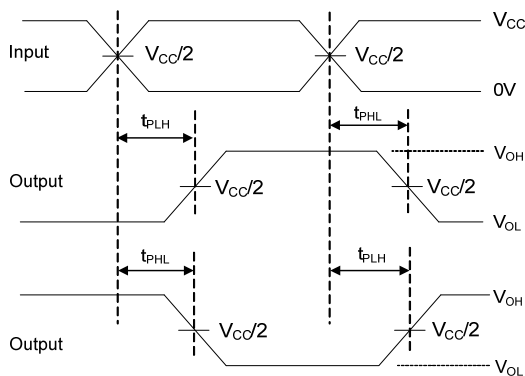
TEST	S1
t_{PLH}/t_{PHL}	Open
t_{PLZ}/t_{PZL}	$2 \times V_{CC}$
t_{PHZ}/t_{PZH}	GND



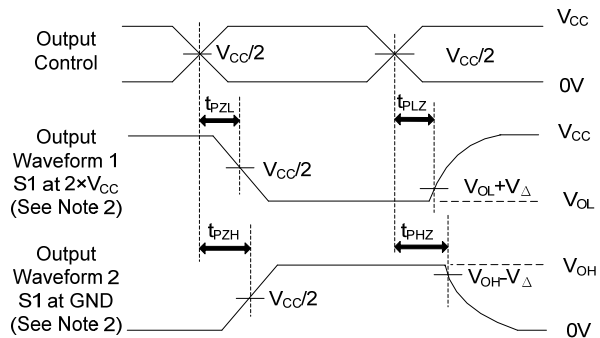
PULSE DURATION



SETUP AND HOLD TIMES



PROPAGATION DELAY TIMES



ENABLE AND DISABLE TIMES

Notes: 1. C_L includes probe and jig capacitance.

2. Waveform 1 is for an output with internal conditions such that the output is low except when disabled by the output control.

Waveform 2 is for an output with internal conditions such that the output is high except when disabled by the output control.

3. All input pulses are supplied by generators having the following characteristics:

$P_{RR} \leq 10\text{MHz}$, $Z_O = 50\Omega$, $t_r \leq 2\text{ns}$, $t_f \leq 2\text{ns}$.

4. t_{PLZ} and t_{PHZ} are the same as t_{dis} .

5. t_{PZL} and t_{PZH} are the same as t_{en} .

6. t_{PLH} and t_{PHL} are the same as t_{pd} .

Load circuitry and voltage waveforms

UTC assumes no responsibility for equipment failures that result from using products at values that exceed, even momentarily, rated values (such as maximum ratings, operating condition ranges, or other parameters) listed in products specifications of any and all UTC products described or contained herein. UTC products are not designed for use in life support appliances, devices or systems where malfunction of these products can be reasonably expected to result in personal injury. Reproduction in whole or in part is prohibited without the prior written consent of the copyright owner. UTC reserves the right to make changes to information published in this document, including without limitation specifications and product descriptions, at any time and without notice. This document supersedes and replaces all information supplied prior to the publication hereof.