



LM741

Advance

LINEAR INTEGRATED CIRCUIT

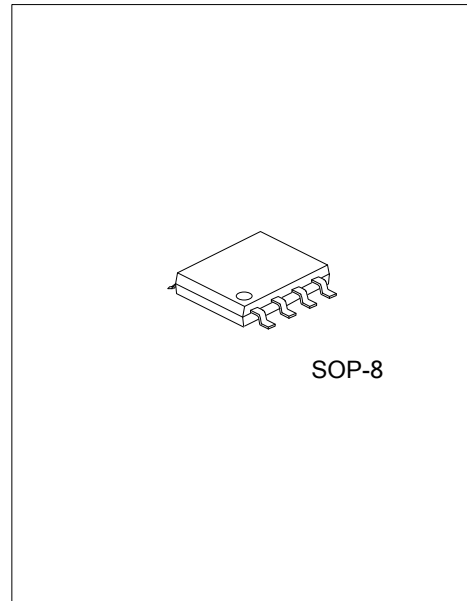
'GENERAL-PURPOSE OPERATIONAL AMPLIFIER

DESCRIPTION

The UTC **LM741** device is a general-purpose operational amplifier featuring offset-voltage null capability.

The high common-mode input voltage range and the absence of latch-up make the amplifier ideal for voltage-follower applications. The device is short-circuit protected and the internal frequency compensation ensures stability without external components. A low-value potentiometer may be connected between the offset null inputs to null out the offset voltage as shown in Figure 2.

The UTC **LM741** device is characterized for operation from 0°C to 70°C.



SOP-8

FEATURES

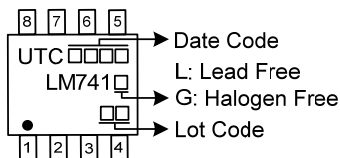
- * Short-Circuit Protection
- * Offset-Voltage Null Capability
- * Large Common-Mode and Differential Voltage Ranges

ORDERING INFORMATION

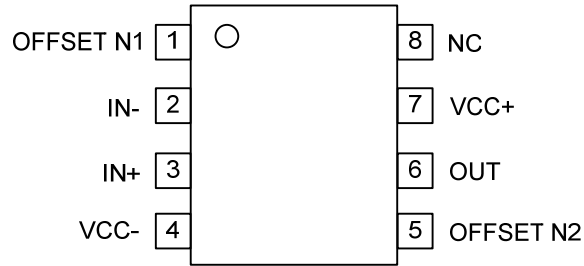
Ordering Number		Package	Packing
Lead Free	Halogen Free		
LM741L-S08-R	LM741G-S08-R	SOP-8	Tape Reel

<p>LM741G-S08-R</p> <ul style="list-style-type: none"> (1) Packing Type (2) Package Type (3) Green Package 	<ul style="list-style-type: none"> (1) R: Tape Reel (2) S08: SOP-8 (3) G: Halogen Free and Lead Free, L: Lead Free
---	---

MARKING



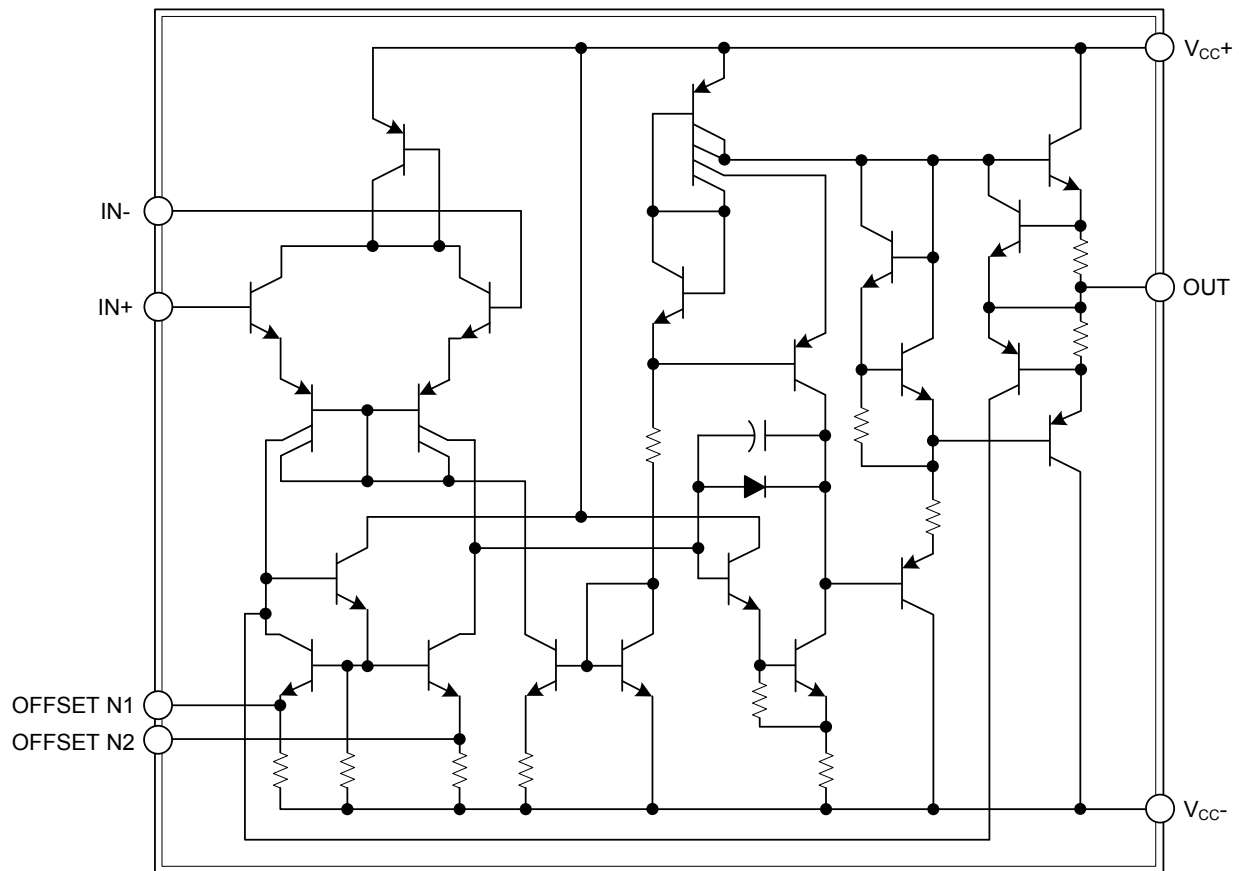
■ PIN CONFIGURATION



■ PIN DESCRIPTION

PIN NO.	PIN NAME	DESCRIPTION
1	OFFSET N1	External input offset voltage adjustment
2	IN-	Inverting input
3	IN+	Noninverting input
4	V _{CC-}	Negative supply
5	OFFSET N2	External input offset voltage adjustment
6	OUT	Output
7	V _{CC+}	Positive supply
8	NC	No internal connection

■ BLOCK DIAGRAM



■ ABSOLUTE MAXIMUM RATING (Unless otherwise specified)

PARAMETER	SYMBOL	RATINGS	UNIT
Supply Voltage (Note 1)	V_{CC}	-18 ~ 18	V
Differential Input Voltage (Note 2)	V_{ID}	-15 ~ 15	V
Input Voltage (any Input) (Note 1, 3)	V_I	-15 ~ 15	V
Voltage between Offset Null (either OFFSET N1 or OFFSET N2) and V_{CC-}		-15 ~ 15	V
Duration of Output Short Circuit (Note 4)		Unlimited	
Lead Temperature 1.6 mm (1/16 inch) from Case for 10 Seconds	T_L	260	°C
Operating Junction Temperature	T_J	+150	°C
Storage Temperature Range	T_{STG}	-65 ~ +150	°C

Notes: 1. Absolute maximum ratings are those values beyond which the device could be permanently damaged.

Absolute maximum ratings are stress ratings only and functional device operation is not implied.

2. All voltage values, unless otherwise noted, are with respect to the midpoint between V_{CC+} and V_{CC-} .

3. Differential voltages are at $IN+$ with respect to $IN-$.

4. The magnitude of the input voltage must never exceed the magnitude of the supply voltage or 15V, whichever is less

5. The output may be shorted to ground or either power supply.

■ RECOMMENDED OPERATING CONDITIONS

PARAMETER	SYMBOL	MIN	TYP	MAX	UNIT
Supply Voltage	V_{CC+}	5		15	V
	V_{CC-}	-5		-15	V
Operating Free-Air Temperature	T_A	0		+70	°C

■ THERMAL INFORMATION

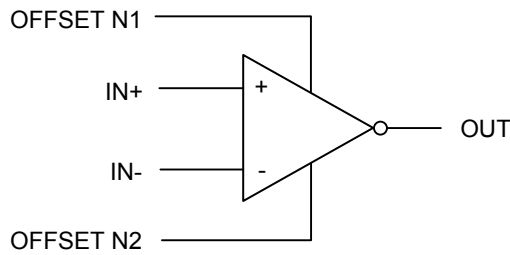
PARAMETER	SYMBOL	RATINGS	UNIT
Junction to Ambient	θ_{JA}	158	°C/W

■ ELECTRICAL CHARACTERISTICS

(At specified virtual junction temperature, $V_{CC\pm} = \pm 15V$, unless otherwise specified)

PARAMETER	SYMBOL	TEST CONDITIONS	MIN	TYP	MAX	UNIT	
POWER SUPPLY							
Supply Current	I_Q	$V_O = 0$, No Load	$T_A = 25^\circ C$		1.7	2.8	mA
			$T_A = 0 \sim 70^\circ C$			3.3	mA
Power Supply Rejection Ratio	PSRR	$V_{CC} = \pm 9V$ to $\pm 15V$	$T_A = 25^\circ C$	80	95		dB
			$T_A = 0 \sim 70^\circ C$	80			dB
Total Power Dissipation	P_D	$V_O = 0$, No Load	$T_A = 25^\circ C$		50	85	mW
			$T_A = 0 \sim 70^\circ C$			100	mW
INPUT CHARACTERISTICS							
Input Offset Voltage	V_{OS}	$V_O = 0$	$T_A = 25^\circ C$		1	6	mV
			$T_A = 0 \sim 70^\circ C$			7.5	mV
Input Offset Voltage Adjust Range	$\Delta V_{OS(adj)}$	$V_O = 0$, $T_A = 25^\circ C$		± 15			mV
Input Bias Current	I_B	$V_O = 0$	$T_A = 25^\circ C$		80	500	nA
			$T_A = 0 \sim 70^\circ C$			800	nA
Input Offset Current	I_{OS}	$V_O = 0$	$T_A = 25^\circ C$		20	200	nA
			$T_A = 0 \sim 70^\circ C$			300	nA
Common-Mode Voltage Range	V_{CM}	$T_A = 25^\circ C$	± 12	± 13			V
		$T_A = 0 \sim 70^\circ C$	± 12				V
Common-Mode Rejection Ratio	CMRR	$V_{CM} = V_{CM\ min}$	$T_A = 25^\circ C$	70	90		dB
			$T_A = 0 \sim 70^\circ C$	70			dB
Large Signal Voltage Gain	A_V	$R_L \geq 2k\Omega$	$T_A = 25^\circ C$	85	100		dB
		$V_O = \pm 10V$	$T_A = 0 \sim 70^\circ C$	82			dB
Input Resistance	r_i	$T_A = 25^\circ C$		2			M Ω
Input Capacitance	C_i	$T_A = 25^\circ C$		1.4			pF
OUTPUT CHARACTERISTICS							
Maximum Peak Output Voltage Swing	V_{OM}	$R_L = 10k\Omega$	$T_A = 25^\circ C$	± 12	± 14		V
		$R_L \geq 10k\Omega$	$T_A = 0 \sim 70^\circ C$	± 12			V
		$R_L = 2k\Omega$	$T_A = 25^\circ C$	± 10			V
		$R_L \geq 2k\Omega$	$T_A = 0 \sim 70^\circ C$	± 10			V
Short-Circuit Output Current	I_{OS}	$T_A = 25^\circ C$		± 20	± 40		mA
Output Resistance	r_o	$V_O = 0$, $T_A = 25^\circ C$ (Note 2)		75			Ω
DYNAMIC PERFORMANCE							
Slew Rate	SR	$V_i = 10V$, $R_L = 2k\Omega$ $C_L = 100pF$, see Figure 1		0.5			V/ μs
Rise Time	t_r	$V_i = 20mV$, $R_L = 2k\Omega$ $C_L = 100pF$, see Figure 1		0.3			μs
Overshoot Factor				5			%

■ SIMPLIFIED SCHEMATIC



■ TYPICAL CHARACTERISTICS

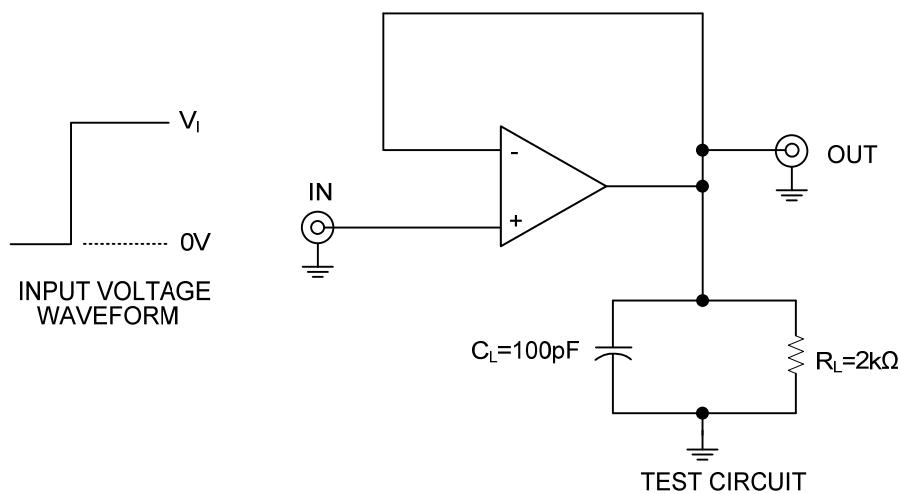


Figure 1. Rise Time, Overshoot, and Slew Rate

The input offset voltage of operational amplifiers (op amps) arises from unavoidable mismatches in the differential input stage of the op-amp circuit caused by mismatched transistor pairs, collector currents, current-gain betas (β), collector or emitter resistors and so forth. The input offset pins allow the designer to adjust for mismatches resulting from external circuitry. These input mismatches can be adjusted by placing resistors or a potentiometer between the inputs as shown in Figure 2. A potentiometer can fine-tune the circuit during testing or for applications which require precision offset control.

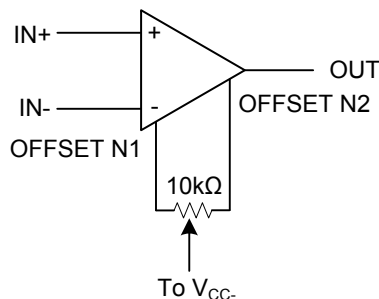


Figure 2. Input Offset Voltage Null Circuit

■ TYPICAL APPLICATION

The voltage follower configuration of the operational amplifier is used for applications where a weak signal drives a relatively high current load. This circuit is also called a buffer amplifier or unity-gain amplifier. The inputs of an operational amplifier have a very high resistance which puts a negligible current load on the voltage source. The output resistance of the operational amplifier is almost negligible, so the resistance can provide as much current as necessary to the output load.

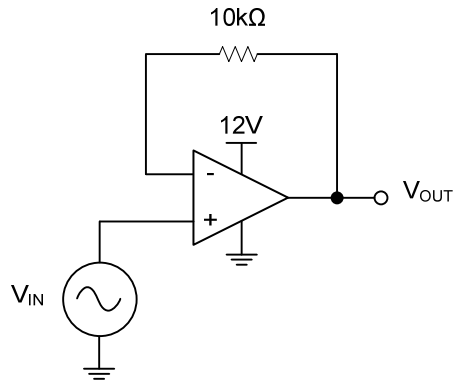


Figure 3. Voltage Follower Schematic

UTC assumes no responsibility for equipment failures that result from using products at values that exceed, even momentarily, rated values (such as maximum ratings, operating condition ranges, or other parameters) listed in products specifications of any and all UTC products described or contained herein. UTC products are not designed for use in life support appliances, devices or systems where malfunction of these products can be reasonably expected to result in personal injury. Reproduction in whole or in part is prohibited without the prior written consent of the copyright owner. UTC reserves the right to make changes to information published in this document, including without limitation specifications and product descriptions, at any time and without notice. This document supersedes and replaces all information supplied prior to the publication hereof.