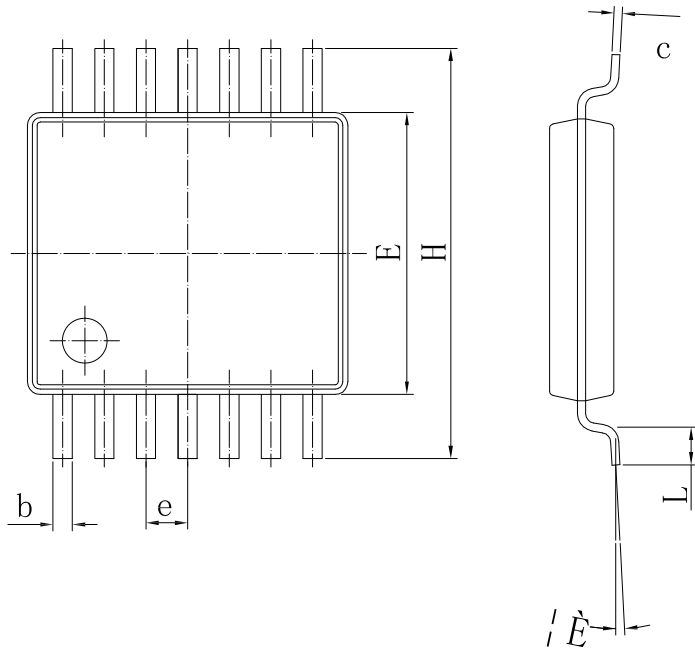
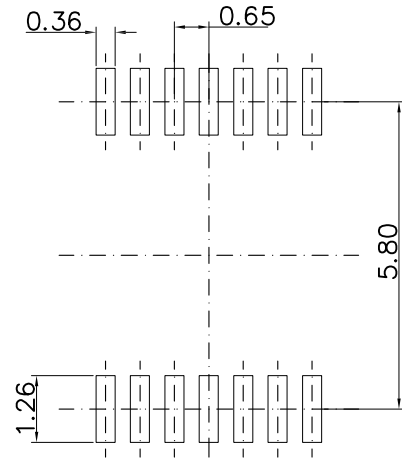
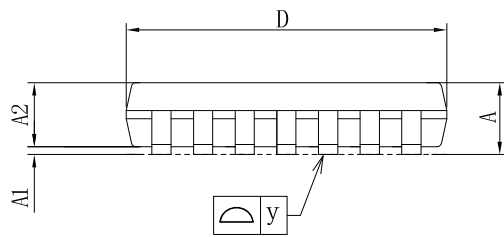


禁用RoHS / REACH/SS00259 之有害物質

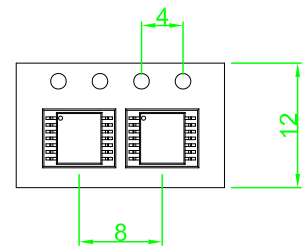


Recommended Land Pattern



LAND PATTERN

Symbol	Dimensions in Millimeters		Dimensions in Inches	
	Min	Max	Min	Max
A	-	1.20	-	0.047
A1	0.05	0.15	0.002	0.006
A2	0.95	1.05	0.037	0.041
b	0.20	0.30	0.008	0.012
c	0.13	0.20	0.005	0.008
D	4.90	5.10	0.193	0.201
E	4.35	4.50	0.171	0.177
e	0.65BSC		0.026 BSC	
H	6.25	6.60	0.246	0.260
L	0.45	0.75	0.018	0.030
θ	0°	8°	0°	8°
y	-	0.10	-	0.004



Q'ty / Reel	Reel Size
3000pcs	13"

Refer to JEDEC NO.MO-153



友順科技股份有限公司

UNISONIC TECHNOLOGIES CO.,LTD

正式發行圖面

SCALE	5 : 1	mm
SHEET	1 of 1	0 30
		THIRD ANGLE PROJECTION

REV: A0
PART NO:TSSOP-14U
DWG NO:DIM-TSSOP-14U-000-A0

TITLE	TSSOP-14U Package Dimensions
-------	---------------------------------

ENG.	For Yu I 2024.09.16
APPR.	Sup 16 2024.09.16

文件管理中心
UTC Doc.Control Center